

SD2120Z-V

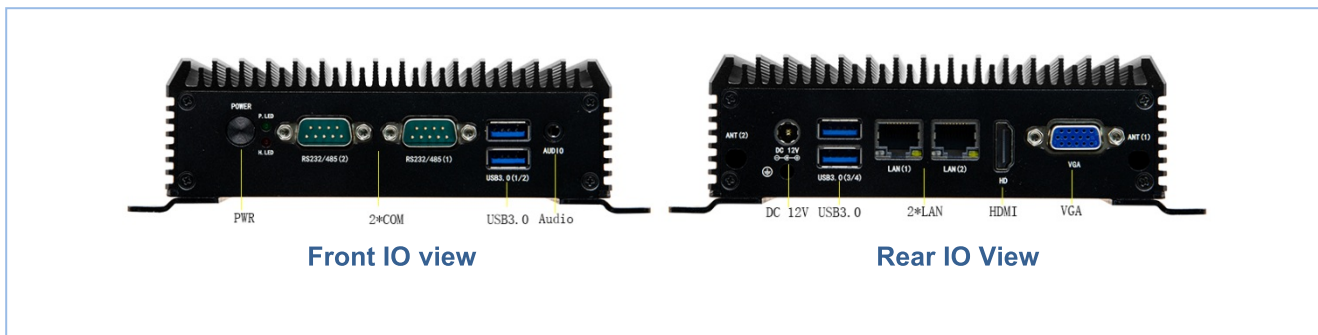
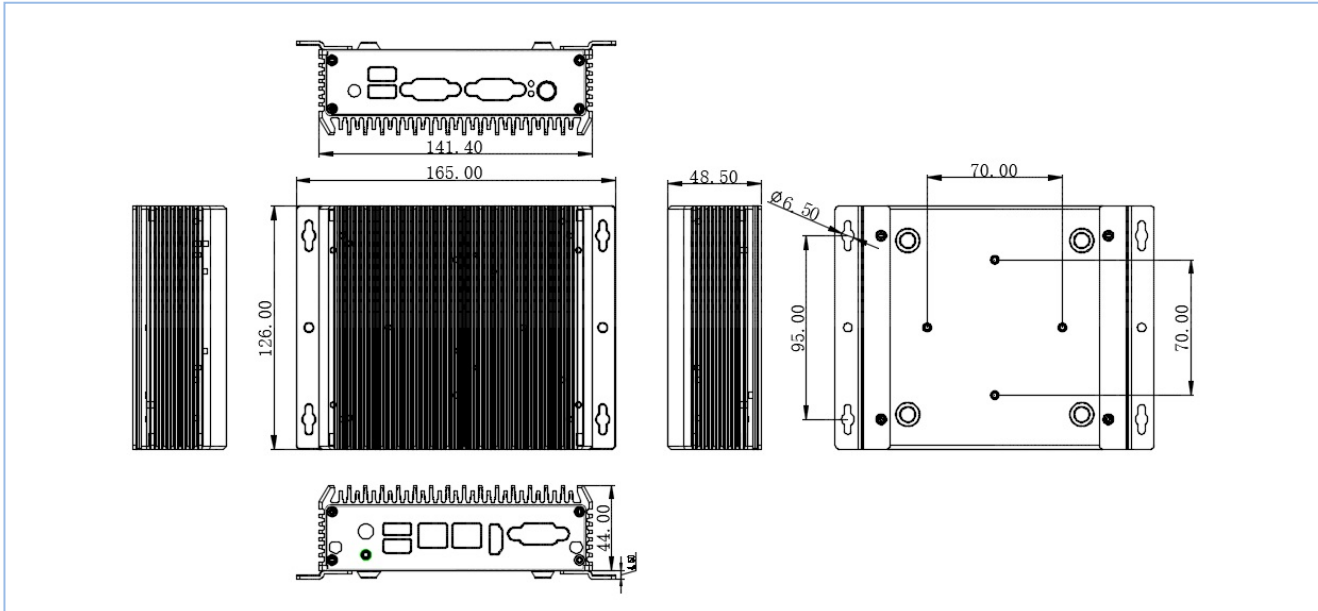


Product Features

- Integrated Intel® Celeron J6412/2.00GHz Quad-Core Quad-Thread Processor
- 1*SODDDR4 3200MHz, support up to 32GB
- 1*HDMI2.0, 1*VGA
- 2*RTL8111H Gigabit Ethernet port
- 2*RS232/485 DB9 serial port
- 4*USB3.0
- DC12V power input
- Fanless cooling structure, all aluminium alloy material

Model	SD2120Z-V V2.0(J6412)	
Chassis	Material/structure	All aluminium alloy, fanless cooling structure
	Colour	Black colour
	Size (LWH)	L141.4*W126*H44mm
	Weight (bare net)	0.8KG
	Installation	Desktop/Wall-mounted
Motherboard	CPU	Integrated Intel®Celeron J6412/2.00GHz Quad-Core Quad-Thread Processor, TDP 10W
	RAM	1*SODDDR4 3200MHz memory, supports up to 32GB
Front Panel Interface	POWER	1*Power Switch
	LED	1*Power Indicator Light, 1*Hard Drive Indicator Light
	USB	2*USB3.0
	COM	2*RS232/485 DB9 Serial Port
	AUDIO	1*Audio, Line out and MIC 2-in-1
Rear Panel Interface	Display Interface	1*VGA(1920x1080@60Hz), 1*HDMI2.0(4096x2160@60Hz)
	LAN	2*RTL8111H Gigabit power port, support Wake-on-LAN, PXE function
	USB	2*USB3.0
	Power supply	1*DC 12V (5.5*2.5)
Storage	M.2	1*M.2, support Key-M, 2280, NVME PCIE x2 SSDs
	SATA	1*2.5 inch HDD bay (7mm thickness)
Expansion	WiFi/4G	1*MINIPCIE, support WIFI or 4G module
OS Support	Windows	Windows 10
	Linux	Ubuntu
	Watch Dog	Support hardware reset function (256 levels, 0~255 seconds)
Power Requirements	Power supply type	External Power Adapter
	Voltage Input	DC 12V
	Power Output	AC TO DC, 36W
Environments	Operating	-10°C ~ 50°C
	Storage Temperature	-20°C ~ 70°C
	Relative Humidity	5%-95% relative humidity, non-condensing
	Operating Vibration	0.5g rms/5-500HZ/random/operating

SIZE



Order Information

No.	Model	Processor	Memory	HDD	LAN	COM	HDMI	VGA	USB3.0	power
1	SD2120Z-V V2.0(J6412)	J6412/2.0G	1*SODDDR4	M.2+2.5	2*8111H	2	1	1	4	DC 12V

Accessory List

No	SKU	Description	Quantity	Unit	Remarks
1	03.02.N05-NC43L-100	Stand, L126*W28.5*T4.5mm	1	Set	Standard
2	03.01.DC0-X12V3-86	12V/3A/36W/with 1.5m power cable	1	PCS	Optional
3	03.01.DC0-KPL60-50	DC12V/5A/60W/DC 2.5 Dual Core /pinziwei Power Adapter	1	PCS	Optional
4	03.03.J01-0H015-00	National standard power cable _L=1.5m pinziwei	1	PCS	Optional
5	03.03.K18-10420-20	SATA power cable, L=35cm	1	PCS	Optional
6	03.03.K12-10765-02	SATA3.0 hard drive cable, L=20cm	1	PCS	Optional
7	03.02.N05-B0039-00	Wall mounted fixing plate /L110*W110*H4.5mm	1	Set	Optional